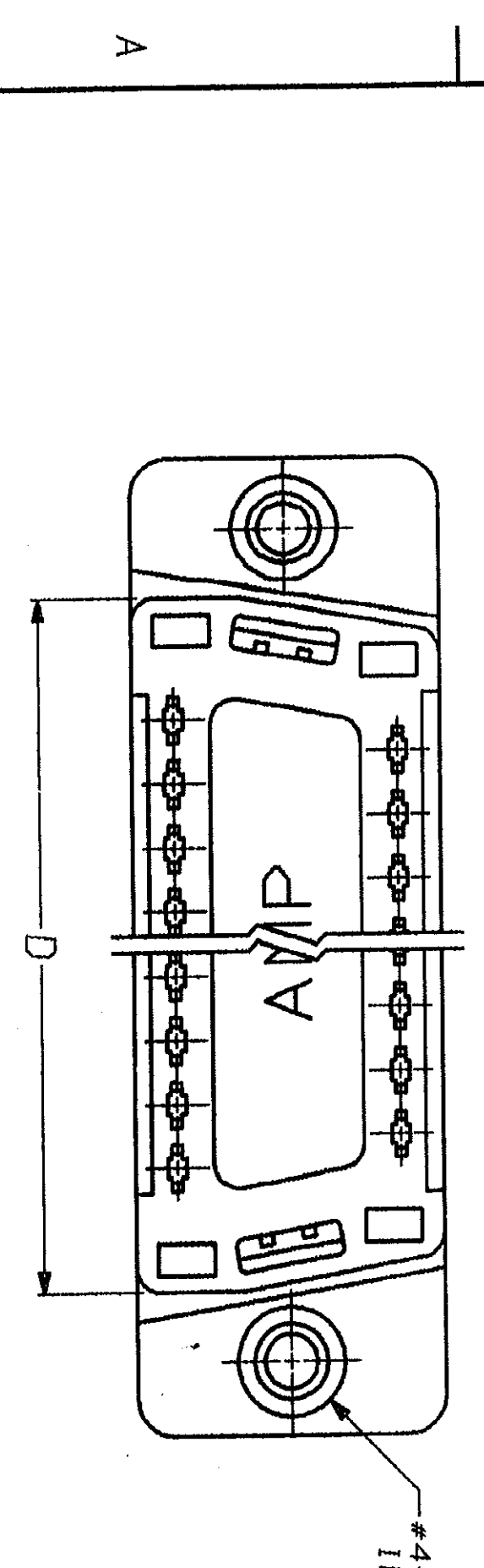
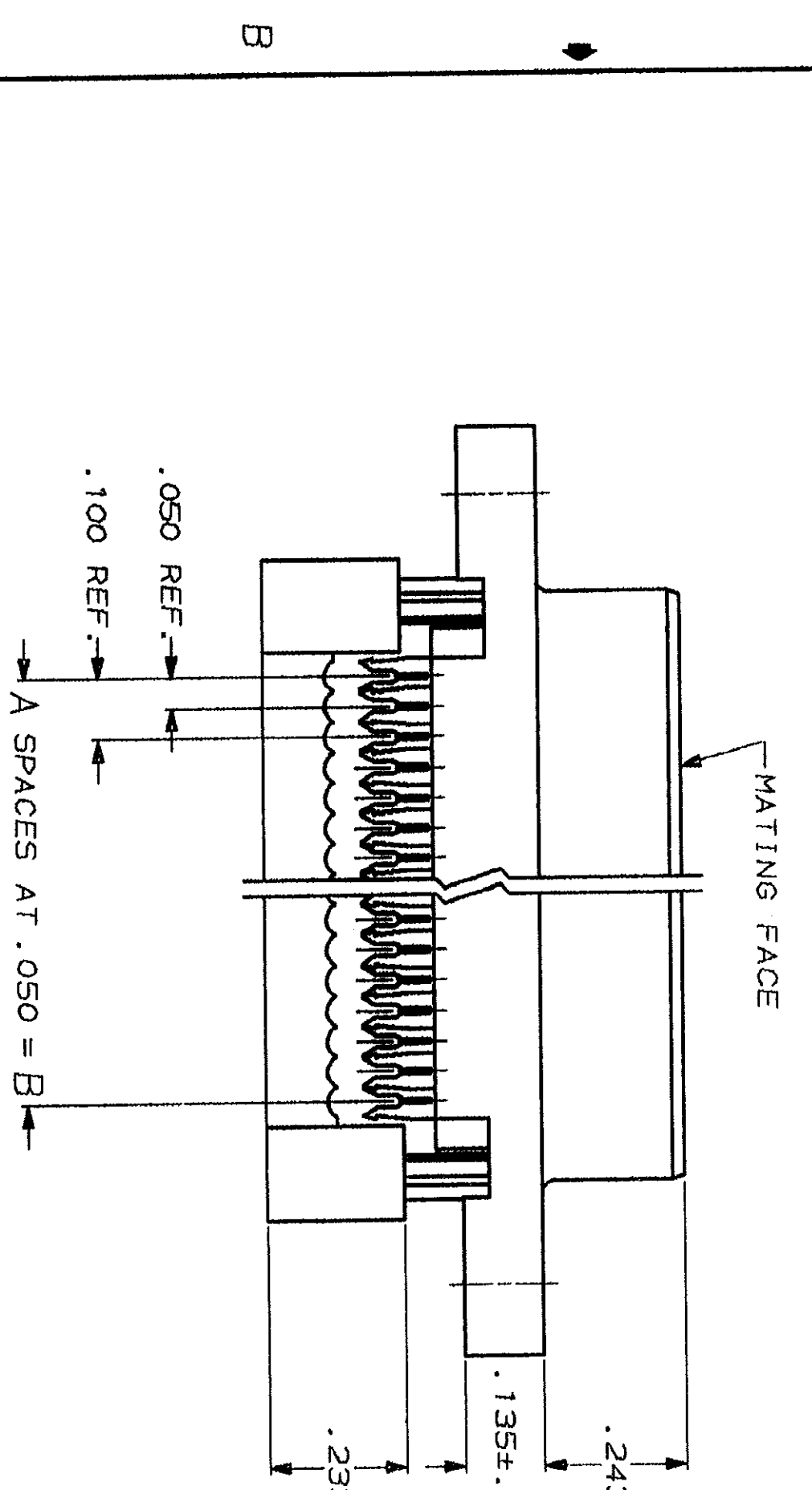
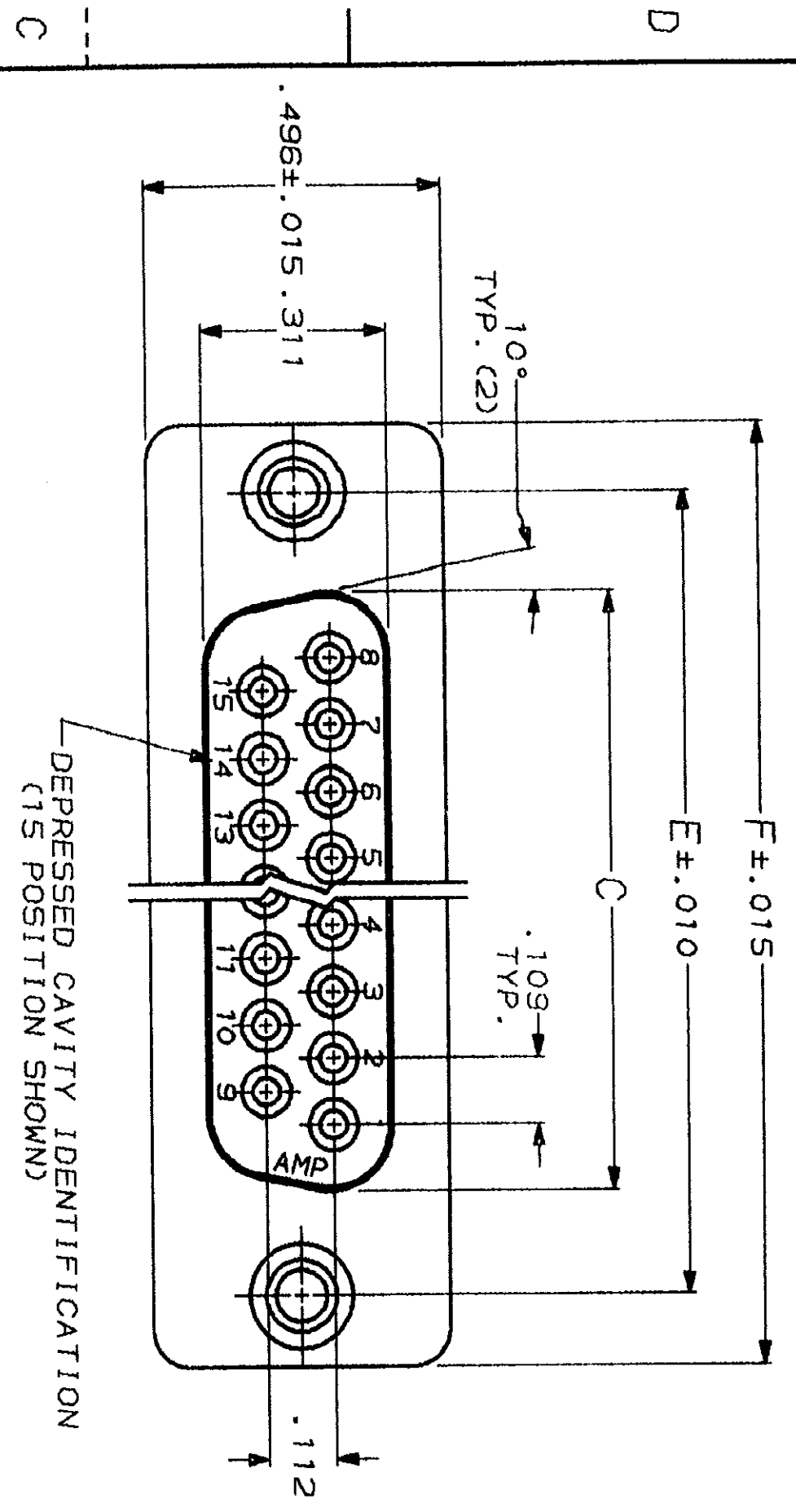


DRAWING MADE IN THIRD ANGLE PROJECTION  
 THIS DRAWING IS UNPUBLISHED. RELEASED FOR PUBLICATION  
 © COPYRIGHT 19 BY AMP INCORPORATED, HARRISBURG, PA. ALL INTERNATIONAL RIGHTS RESERVED. AMP PRODUCTS MAY BE COVERED BY U.S. AND FOREIGN PATENTS AND/OR PATENTS PENDING.



3

2

1

REVOLUTIONS				MOD	LOC	DIST
P	F	ZONE	LTR	DESCRIPTION	DATE	APPROVED
				O. REV PER ECN 0520	J. P. 10-18-82	ME WGL
				A REVISED ECN-CF1457	10-28-82	J5
				B REV PER ECN BD2622	2-18-83	
				C REV PER ECN BD4356	08/18/90	

- CONNECTORS COMPLY WITH AMP SPEC. 108-40, 012 AND MATE WITH ANY SAME NUMBER POSITION PLUG CONNECTOR IN AMPLIMITE SERIES.
- CONNECTOR DESIGNED FOR 28 AND 26 AWG STRANDED AND SOLID CONDUCTOR RIBBON CABLE ON .050φ.
- DIMENSION APPLIES TO TERMINATED CONNECTOR.
- INSERTS WILL WITHSTAND 6 IN. LBS. TORQUE AND 50 LBS. PULL OUT FORCE FROM MATING FACE SIDE.
- MOLDED PARTS: FLAME RETARDANT 94V-0 RATED THERMOPLASTIC; COLOR: BLACK.
- PHOS. BRONZE PER QQ-B-750.
- BRASS PER MIL-C-50.
- GOLD PLATING PER MIL-G-45204, BRIGHT TIN PLATING PER MIL-T-10727, TIN LEAD PLATING PER MIL-P-81728, NICKEL PLATING PER QQ-N-290.
- PLATED WITH .000030 GOLD IN LOCALIZED GOLD PLATE AREA, .000100-.000200 BRIGHT TIN LEAD ON TERMINATION END, ALL OVER .000050 NICKEL ON ENTIRE CONTACT.
- ADVANCED PART NUMBER, NOT PRODUCTION TOOLED.

CONTRACT NO	DR	CHK	APPD	APPD	OTHER APPD	SCALE	NTS	SHEET
	J. GERACE 11-1-82	J. GERACE 11-1-82	R. LEGGETT 11-5-82	E. GILL 11-8-82		C	00779	747051

UNLESS OTHERWISE SPECIFIED DIMENSIONS ARE IN INCHES. TOLERANCES ON DECIMALS ± .005 ANGLES ± 2°

MATERIAL: MOLDED PARTS: FINISH CONTACTS: UNPLATED INSERTS: UNPLATED

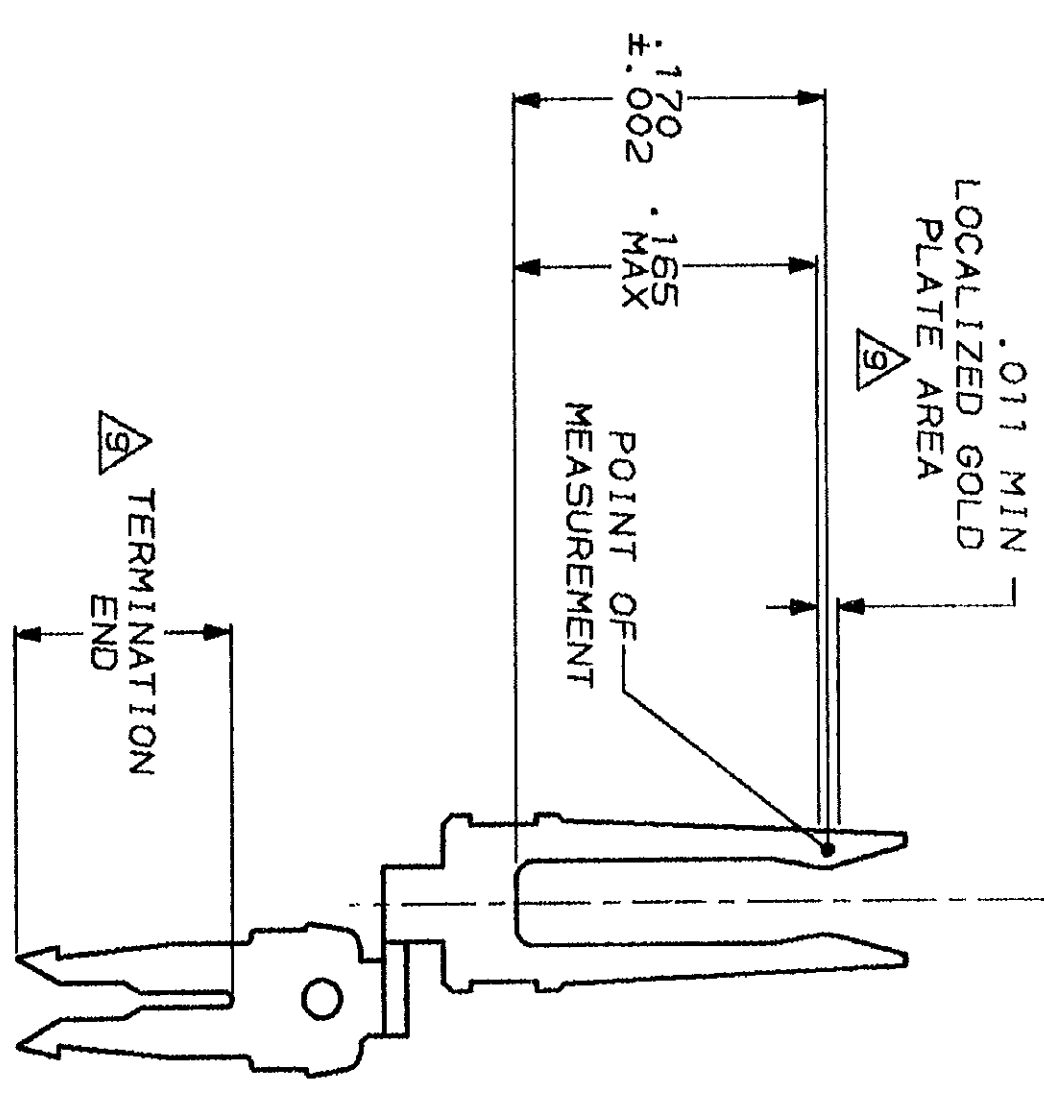
AMP INCORPORATED  
 HARRISBURG, PA.

RECEPTACLE ASSEMBLY, LOW PROFILE  
 HDF, W/ PREASSEMBLED COVER &  
 THREADED INSERTS

CUSTOMER DRAWING

DRAWING MADE IN THIRD ANGLE PROJECTION  
 THIS DRAWING IS UNPUBLISHED. RELEASED FOR PUBLICATION  
 COPYRIGHT 1987 BY AMP INCORPORATED. ALL INTERNATIONAL RIGHTS RESERVED.

MOD	LOC	Q137	REVISIONS	
20	BD	39	P	F
			ZONE	LTR
			C	SEE SHEET 1
			DATE	APPD



CONTACT DETAIL  
 SCALE 10:1

DO NOT SCALE PRINT. UNLESS SPECIFIED DIMENSIONS IN INCHES TOLERANCES ON:		DR 11-3-87 M. EPLER	NAME RECEPTACLE ASSEMBLY, LOW PROFILE HDF, W/ PREASSEMBLED COVER & THREADED INSERTS	
2 PLC DEC #	-.005	CHK 11-3-87 W. G. LENKER	AMP	AMP INCORPORATED Harrisburg, Pa. 17105
3 PLC DEC #	2°	APPD -	SIZE	FSCH NO
MATERIAL	-	PRODUCT SPEC	C	00779
FINISH	-	APPLICATION SPEC	SCALE	NTS
WEIGHT	-		DRAWING NO	747051
			SHEET	2 OF 2

CUSTOMER DRAWING

AMP 1471-B REV 3-87  
 19 SEP 1990 14:24:40 AMP7098